



enterned

Futurent III[®]

New generation for the future



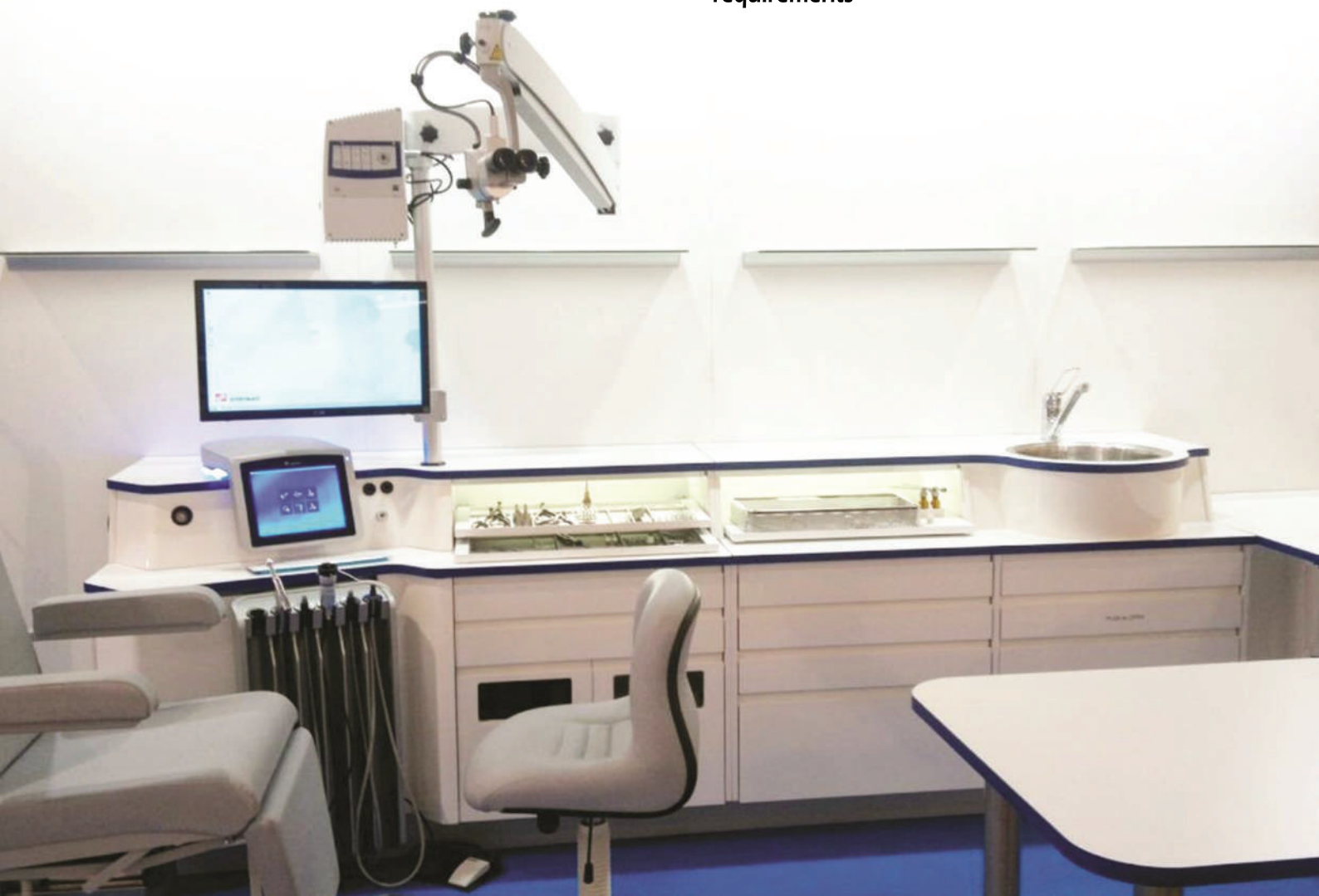
Don't let your equipment
hinder your performance.

futurent III

Introduction

Derived from a long line of designs, the Futurent® ENT treatment unit is ergonomically designed to simplify ENT OPD procedures, vastly improve efficiency and reduce user fatigue in the ENT consulting / treatment room. Touch-screen operation, hygienic materials, carefully selected finishes and other elements are combined to form the basis of an efficient, durable and patient-friendly setting. Modern electronics help optimise efficiency and minimise downtime. Modular furniture can be added to the Futurent® in accordance with particular requirements, available space and budget to create an ergonomic ENT suite. This further improves efficiency and gives the consulting / treatment room a professional ambience.

- **High-tech control console** for easy touch operation
- **Superior ergonomic design** for reduced user fatigue
- **Maximum instrument and accessory storage space**
- **Vast choice of integrated functions**
- **No knobs and buttons** to hamper cleaning
- **Custom made** in accordance with specific requirements



Optimum storage space

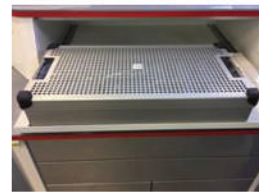
A dual-level worktop is available in scratch and stain resistant coloured glass, Marlan synthetic granite and a Thermopal laminate. The Futurent® is equipped with two illuminated instrument plateaus with stainless steel inlays in them, two large storage drawers with adjustable dividers and two drawers for waste disposal and used instruments. On request, the latter two drawers can be provided with openings to allow convenient access to them. These openings are not included as standard for infection control reasons.



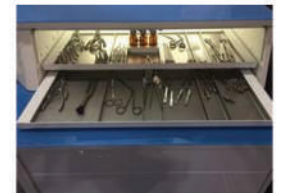
Standard



On request



The instrument plateaus can be modified according to specific requirements.



The instrument plateau can be lifted out to allow through cleaning.

Mobile and fixed

The Futurent® comes on castors so it can be moved easily. At the same time, it is equipped with legs that can be rotated individually into position to secure the unit and level it on uneven floors.



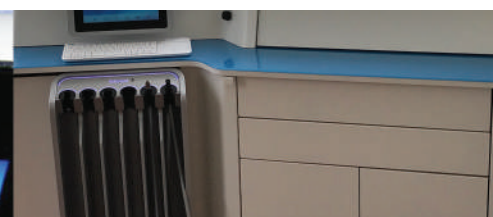
Handpiece holder section slides to one side to reveal a compartment in which external devices can be kept.

Hygienic design

In order to stay one step ahead of the hygiene regulations, the Futurent® is designed with a smooth design without handles, knobs and buttons. As an alternative it is possible to have the unite equipped with push-to-open drawers, which means the drawers can be made completely flush. This makes it easier to keep the drawers clean and thus improving hygiene.

Central operation

External devices and equipment, such as a patient examination chair, audiometer and room lighting, can be connected to the Futurent® to allow central operation of all equipment.



No knobs and buttons for optimum hygiene

futurent III

Virtual control console

The integrated touch-screen control console doubles as a monitor for viewing camera images and diagnostic scans. The capacitive touch sensor in the control console makes it possible to quickly zoom in on trouble spots for a closer look. It is advisable to include a larger observation monitor included in the configuration. Patient explanation is simplified thanks to the anatomy picture library.



Pivoted control console for convenient positioning

Intergrated functions by choice

The Futurent® can be equipped with a wide selection of integrated functions to accommodate specific requirements and budget.

- Suction system (automatically activated)
- Rinsing facility for hose and secretion receptacle
- Automatic secretion discharge
- Small basin with irrigation for clearing blocked suction tubes
- Compressed air c/w 3 atomizers (automatically activated)
- LED or halogen fibre optic light source for rigid and flexible endoscopes (automatically activated)
- LED or halogen fibre optic light source with switchable hook for examination headlight
- Cordless examination headlight with battery charger integrated in the treatment unit
- Warm water irrigator (3 temperature model)
- Heated or non-heated rigid telescope holders
- Flexible scope holder
- Cautery power sockets
- Low voltage power source
- Examination microscope
- HD video endoscopy imaging system with HD video
- 22" HD LED monitor
- LED stroboscope (doubles as light source for endoscopes)
- 100 W coagulator (mono and bipolar modes)
- Rhinomanometer
- Tympanometer with EFT function
- Sinus echography
- Mirror preheater rack for up to 60 mirrors
- Hot air mirror heater (automatically switches off after 3 seconds)



Intergrated
HD camera

Intergrated HD endoscopy camera

The Entermed HD Camera is a high definition camera which comes with an user friendly software package. This allows images and videos to be saved to disk via the foot switch provided. The software allows the brightness, contrast, hue, colour saturation and sharpness of the picture to be adjusted according to specific circumstances. Thumbnails make it possible to conveniently revert back to saved images and videos during the session. The picture quality is remarkably crisp and clear when used with rigid endoscopes. For flexible nasopharyngolaryngoscopes, we highly recommend an SD camera system that can be integrated in the same manner. SD cameras are more suited to conventional flexible fibre scopes due to the moiré effect being minimised.



Virtual control console.

Multi diagnostic centre for ENT

The integrated Diagnostic Centre allows the addition of a video-endoscopy camera, tympanometer, rhinomanometer and stroboscopy system into the ENT treatment unit. Entermed can supply patient management software and HL7 interface as an option, which allows the centralised storage of images, videos and patient data.

The integrated ENT devices are automatically activated by means of infrared sensors when the handpieces are removed from their holders. Others features are operated via the control console.



Picture library for patient explanation.



The user-friendly software allows central operation of the functions.

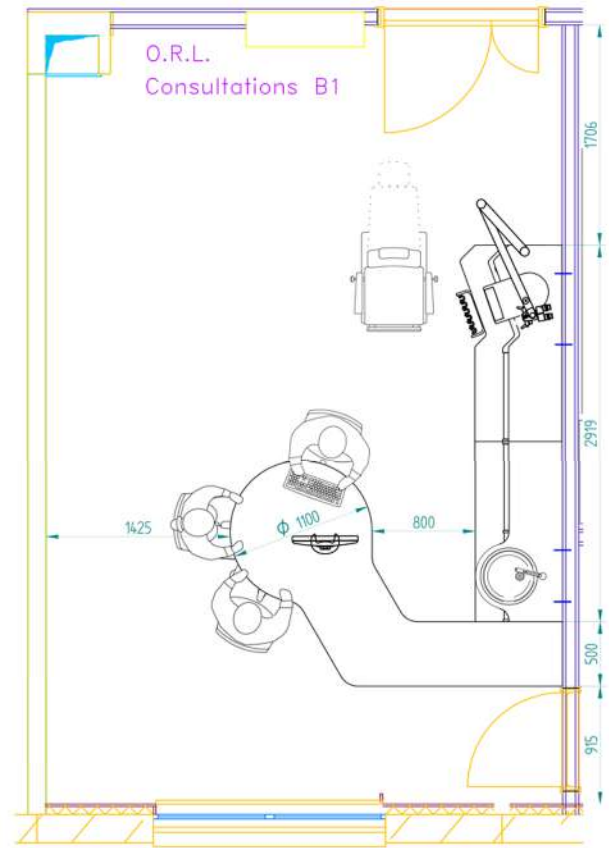
futurent III

Floor plan

On request, the company's designers can produce a floor plan of the consulting room, illustrating the recommended position of the Futurent®, modular furniture and patient chair in relation to windows and doorways to ensure maximum efficiency.

Modular

The Futurent® can be combined with a selection of matching furniture in a variety of colours and styles to form a complete ENT suite. This further improves efficiency and gives the consulting room a professional ambience. Enteredmed treatment units and complementary modular furniture are hand built to the highest standards, according to the client's specifications and requirements, at Enteredmed's facility in the Netherlands.



Complementary matching furniture

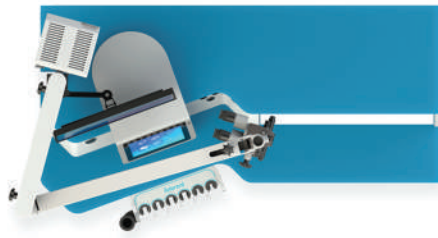
The Futurent ENT treatment unit can be supplemented with additional furniture such as:

- Washbasin section. This can be integral part of unit or supplied as a stand-alone furniture.
- Desk section. This can be integral part of the unit or fitted as a stand-alone furniture.
- Eye-level wall cabinets
- Extra worktop and shelving matching the ENT unit.



Futurent modules

Futurent ENTreatment unit with Thermopal, Marlan, or tempered glass dual-level worktop.



Complementary modular furniture



Also available: Microscopy version



futurent III

Colours and materials

The Futurent® ENT treatment unit can be produced with front panels in any RAL-colour. The dual-level worktop is available in scratch and stain resistant coloured glass, Marlan synthetic granite and Thermopal laminate.

- Tempered glass is a hygienic material that is highly resistant to scratching and staining. It is durable and will last for many years. Glass is ideal for use as a worktop in a medical setting. The glass worktop is available in various colours.
- Marlan can be repaired easily and scratches can be removed from it with the minimum of effort. Marlan is a hygienic material due to its low porosity and it is resistant to most cleaning agents and chemicals.
- Thermopal laminated finish on the worktop is highly suited to a medical setting due its resistance to aggressive cleaning agents and disinfectants. However it cannot be refurbished when it gets damaged. Thermopal is a low-cost finish.



Entermed fully automatic patient examination chair

Product code: 760110 ES



- Elegant design
- Adjustable armrests
- Synchronised backrest and leg rest
- Folding footrest
- Stainless steel base
- Electric height adjustment
- Electric back adjustment
- Rotation : 350°
- Movable arm rest
- Folding foot rest
- Two functions foot pedal (up, down - front, back)
- Maximum load: 150Kg
- Vertical position up to +5°
- Horizontal position up to -20°
- Large variety of colours and upholstery design

Available colours:



futurent III

Other patient chairs and doctor stools:

760106 ES ENT Patient Chair



760105 Examination / Treatment Chair



753000 ES UNIVERSUM Bucket Stool



30142 Regular Doctor's Stool



Optional accessories:

08-355 Binner fibre optic headlight with tintegrated fibre optic cable



ESG-01-01-70 INT HF electrosurgical unit



670600 INTERVIEW III cordless LED headlight



84180

Stroboscope



844072/H Ear speculum rack



08-433

LED Nystagmus glasses



ESG-01-01-21 Radiofrequency electrosurgical unit



812655

Politzer olive 18mm, fits directly into compressor handpiece



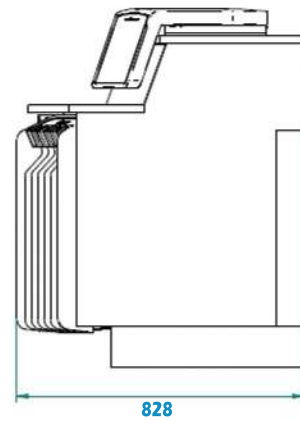
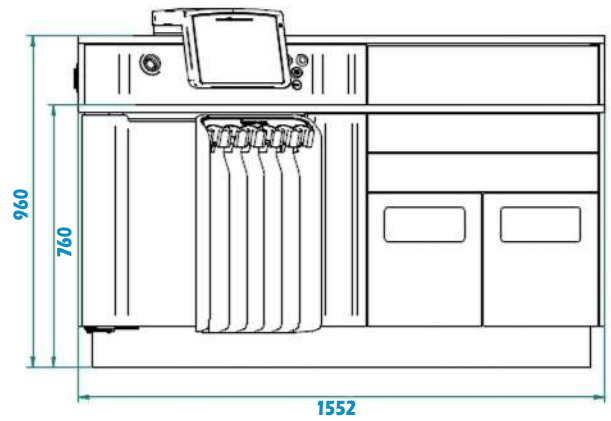
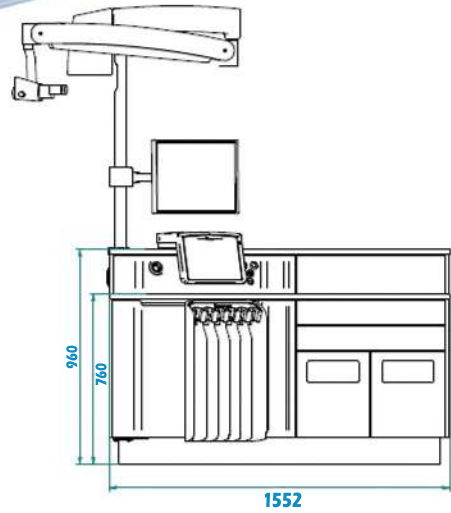
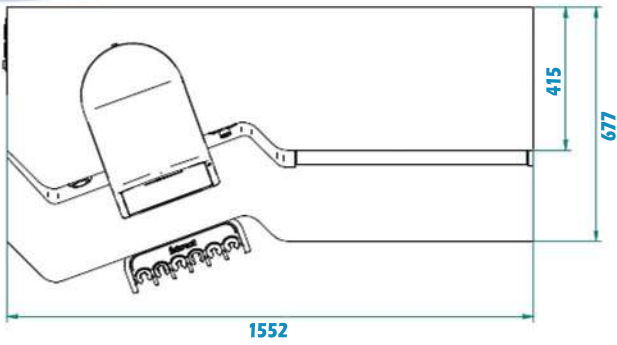
717550E Ear rinse cup with connection for suction hose



812665

Politzer olive 22mm, fits directly into compressor handpiece






Svensk distributör:
 Entomed MedTech AB
 Storgatan 7
 233 31 Svedala
 040-481140



 www.entomed.com

 Steenovenweg 4
 3417 XR, Montfoort
 The Netherlands

 info@entomed.com

 +31 (0) 58 29 88 888

We continuously strive to improve and update our products and thus reserve the right to make alterations without prior notice.